

06, 66



06, 66

Hard metal brazed tips, types 06, 66.  
Design and dimensions

25397—90

MKC 25.100  
77.160  
19 6000

01.07.93

- 1.
- 2.
- .1.

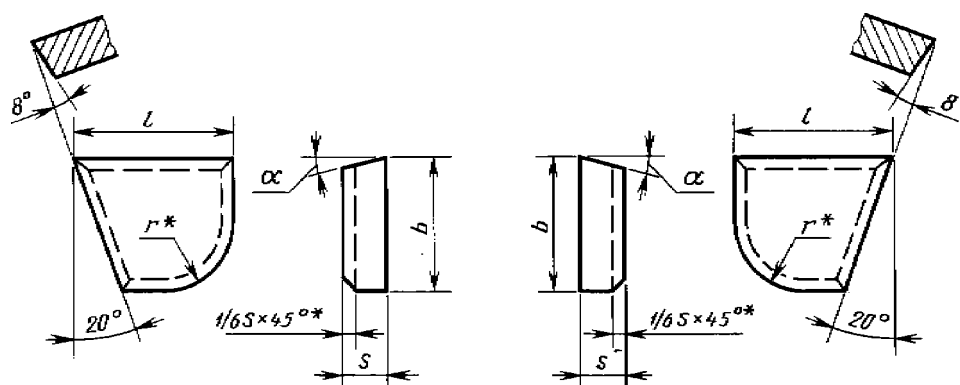


Таблица 1

		$l$	$b$	$s$					
06010	—	8	1	2,5	4,0	—	1, 5, 7	8	2, 3, 4, 9, 10
06330	06340	10	6	4,0		18	1, 7	2, 8	3, 4, 5, 9, 10
06030	—		8	3,0	5,0	—	1, 7	8	3, 4, 5, 9, 10
06350	06360	12		5,0		18	1, 7	3, 5, 8	4, 9, 10
06050	06060		10	4,0	6,0		2	1, 3, 5, 7, 8	4, 9, 10

		/	b	s					
66050	66060	12	10	4,0	6,0	8	2, 3	1, 3, 4, 5, 7, 8	9, 10
06370	06380	16		6,0		8,0	18	2, 3	1, 4, 5, 7, 8
06090	06100		14	5,0	8		2, 3	4, 5, 8, 9, 10	1, 7
66090	66100				8		2, 3	4, 5, 8, 9, 10	1, 7
06390	06400	20	12	7,0	7,0	18	2, 3, 4	5, 8, 9, 10	1, 7
06130	06140	20	18	6,0	10,0	18	2, 3, 4, 9	5, 8, 10	1, 7
66130	66140					8	2, 3, 4, 9	5, 8, 10	1, 7
06410	06420	25	14	8,0	8,0	18	3, 4, 9	2, 5, 10	1, 7, 8
06170	06180						20	7,0	3, 4, 5, 9
66170	66180		8	3, 4, 9	2, 5, 10	1, 7, 8			
06270	06280	32	20	9,0	12,5	18	4, 9	3, 5, 10	1, 2, 7, 8
66270	66280					8	4	3, 5, 9, 10	1, 2, 7, 8
06290	06300	40	22	10,0		18	4	5, 9, 10	1, 2, 3, 7, 8
66290	66300					8	4	10	1, 2, 3, 5, 7, 8, 9

3. — 25393.

4.

5. — 2209.

6.

5 — 10 8- ; 7 - , - ; 1 — 30 4; 2 — 15 6; 3 — 14 8; 4 — 5 10;  
11 - - .

		30 4	15 6	14 8	15 10	10 8-	- ,	6- 6- ,	8	-
06010	-	1,08	1,26	1,27	1,43	1,53	1,70	1,67	1,65	1,66
06330	06340	1,59	1,86	1,88	2,10	2,25	2,49	2,44	2,40	2,42
06030	-	1,58	1,86	1,88	2,12	2,27	2,51	2,46	2,44	2,45
06350	06360	3,15	3,71	3,73	4,17	4,46	4,95	4,84	4,77	4,80
06050	06060	3,19	3,76	3,78	4,26	4,56	5,05	4,97	4,91	4,94
66050	66060	3,35	3,95	3,97	4,47	4,79	5,30	5,22	5,16	5,20
06370	06380	6,51	7,66	7,70	8,61	9,22	10,23	9,99	9,87	9,94
06090	06100	7,55	8,88	8,94	10,10	10,80	11,90	11,70	11,60	11,68
66090	66100	7,93	9,32	9,39	10,60	11,30	12,50	12,30	12,20	12,29
06390	06400	11,63	13,68	13,74	15,37	16,50	18,26	17,84	17,60	17,72
06130	06140	14,60	17,20	17,30	19,50	20,90	23,20	22,80	22,50	22,66
66130	66140	15,30	18,10	18,20	20,50	21,90	24,40	23,90	23,60	23,77
06410	06420	19,82	23,31	23,42	26,20	28,04	31,12	20,40	29,99	30,20
06170	06180	24,00	28,30	28,40	32,10	34,40	38,00	37,40	36,90	37,16
66170	66180	25,20	29,70	29,80	33,70	36,10	40,00	39,30	38,80	39,07
06270	06280	41,50	48,80	49,10	55,00	59,00	66,00	65,00	64,00	64,45
66270	66280	43,60	51,20	51,60	58,00	62,00	69,00	68,00	67,00	67,48
06290	06300	66,00	77,00	78,00	88,00	94,00	104,00	102,00	101,00	101,70
66290	66300	69,00	81,00	82,00	92,00	98,00	109,00	107,00	106,00	106,74

1.

2.

31.10.90 2761

3.

25397-82

4.

121—74

5.

-

2209-90	5
25393-90	3

6.